

GP38-2 Locomotive Parts List

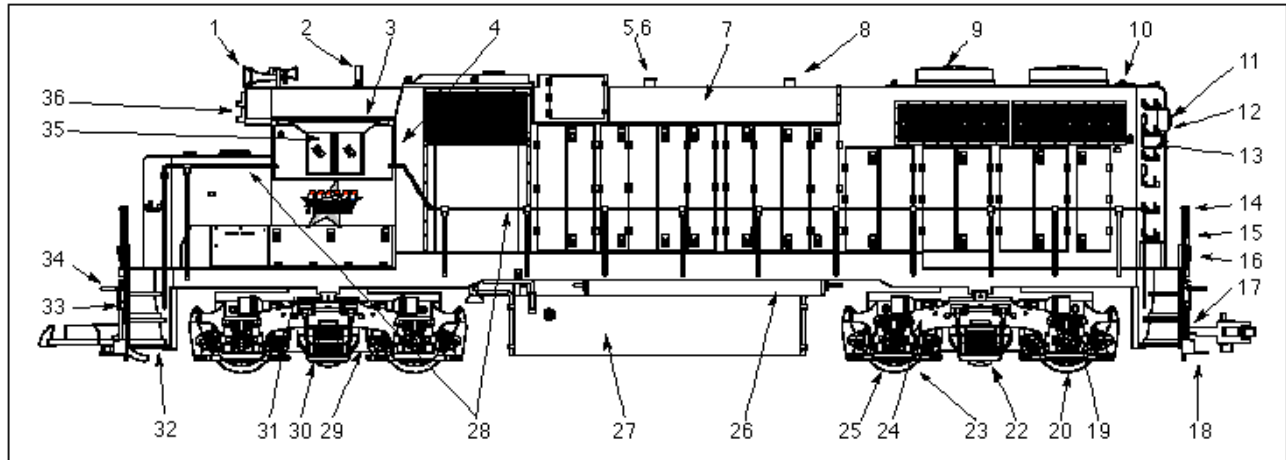


Diagram Number	Part Number	Description	Price
1	R22-201	Front diesel horn	\$2.50
2	R22-202	Antenna	2.50
3	R22-203	Sunshade (specify color)	2.50
4	R22-204	Windshield Wipers (4)	2.50
5	R22-131	Smoke Stacks - Plastic (2)	2.95
6	R22-132	Smoke Stacks - Metal (2)	2.95
7	R22-108	Smoke Unit (fan driven)	24.95
8	R22-208	Dynamic Brake (specify color)	18.95
9	R22-209	Roof Fan w/Rotating Fan Blade (specify color)	3.95
10	R22-130	Brass Lift Rings (14)	6.95
11	R22-211	Lens Cover (1)	2.50
12	R22-212	Light Bulb & Wire (headlight)	3.50
13	R22-213	Number Plate - 1 End (specify number)	2.95
14	R22-214	Front/Rear Handrails (2) (specify color)	14.95
15	R22-215	Fold Down End Step (2)	3.95
16	R22-216	M.U. Connector (2)	2.95
17	R22-217	Coupler Spring & Mounting Plate	2.50
18	R22-218	End Steps (specify color) (2)	4.50
19	R22-114	Truck Sideframe Springs (8)	2.50
20	R22-135	Metal Wheels With Gears (2)	9.95
21	R22-115	Replacement Motor Truck (1)	32.95
22	R22-122	Slide Shoes & Springs (4)	4.50
23	R22-136	Traction Wheels With Gears (2) (for rubber tires)	9.95
24	R22-117	Truck Sideframe (2) (specify color)	8.95
25	R22-137	Rubber Tires (4)	4.95
26	R22-226	Cylinders (2)	3.50
27	R22-227	Fuel Tank (specify color)	8.95
28	R22-228	Side Handrails (4) (specify color or undecorated)	14.95
29	R22-116	Replacement Motor Only (1)	22.95

30	R22-134	Stirrup For Side Frame (4) (specify color)	5.95
31	R22-118	Truck Mounting Block (1)	3.50
32	R22-232	Coupler Mounting Block & Pivot (no coupler)	6.95
33	R22-233	Air Hoses (6)	8.95
34	R22-234	Coupler Lift Bar With 4 Holders (1)	1.95
35	R22-235	Light Bulb & Wire (cab)	3.50
36	R22-236	Light Bulb & Wire (number board)	3.50
37	R22-000	Motor Block Bottom Plate	7.95
	R2021	Snow Plow (1) (specify color)	16.95
	R50001	USA Trains Smoke Fluid (4oz)	7.95
	R50002	USA Trains Conductive Lubricant (2oz)	10.95

**Please call 781-322-6084 or use diagram above to circle the required part(s)
Fax, email or mail to us with your method of payment. Include \$5.00 for shipping & handling.
Fax Number: 781-321-6459**

[Home](#) [Locomotives](#) [Parts Page](#) [Top of page](#)