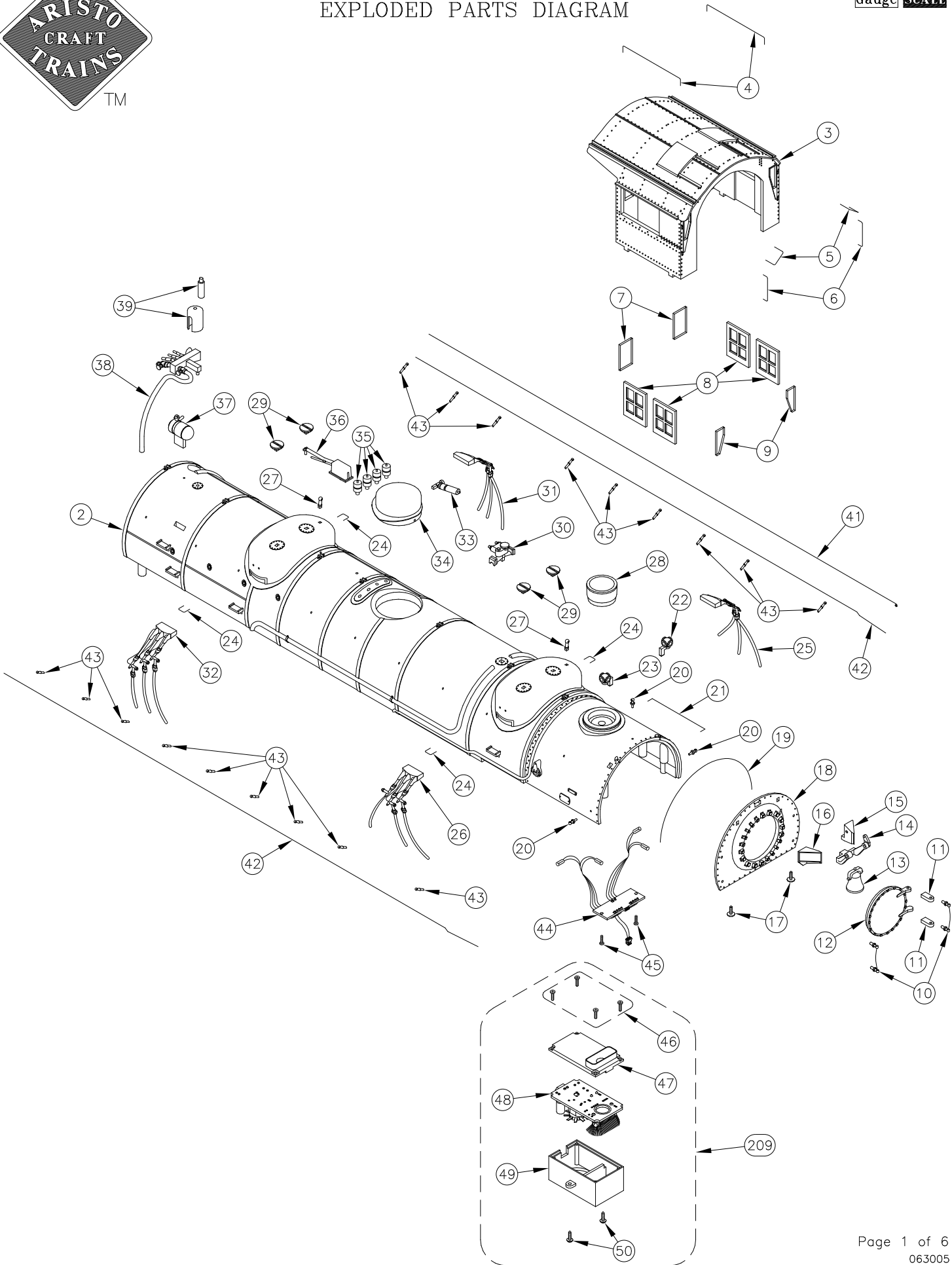




ART-21600 SERIES 2-8-8-2 USRA Mallet Steam Locomotive

EXPLODED PARTS DIAGRAM

#1 Gauge 1:29 SCALE

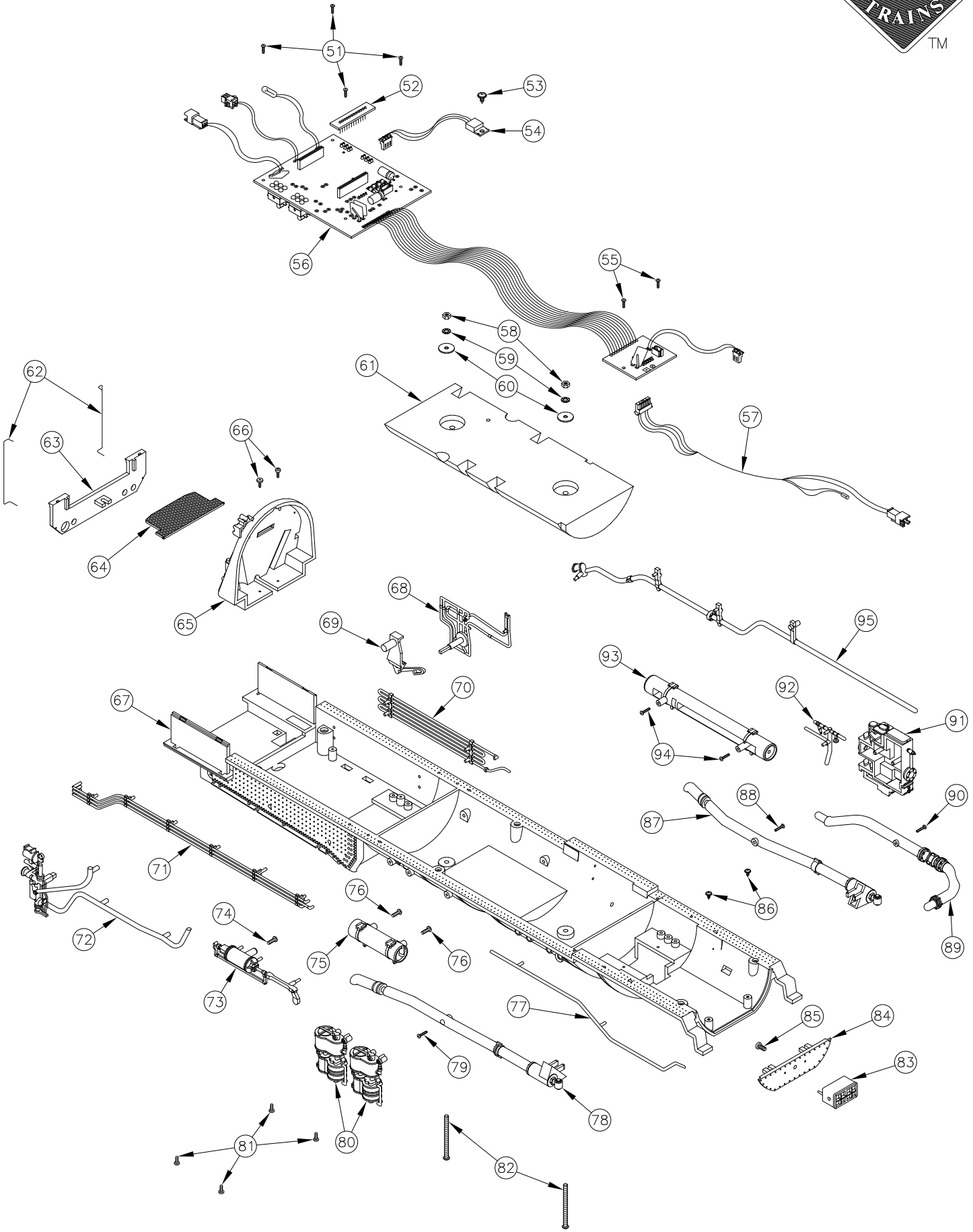


#1
Gauge

1:29
SCALE

ART-21600 SERIES 2-8-8-2 USRA Mallet Steam Locomotive

PARTS LIST-ORDER FORM





ART-21600 SERIES 2-8-8-2 USRA Mallet Steam Locomotive

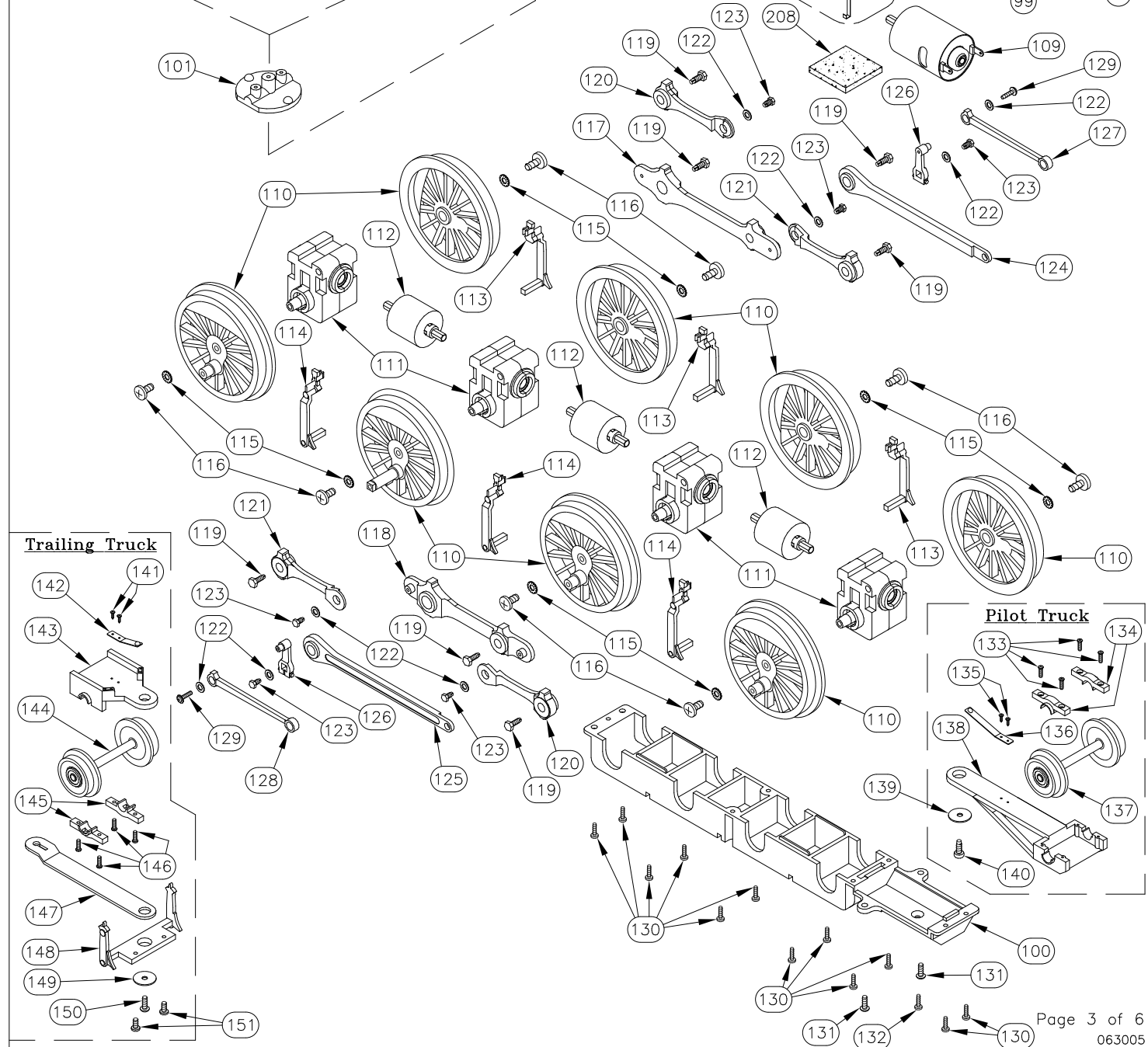
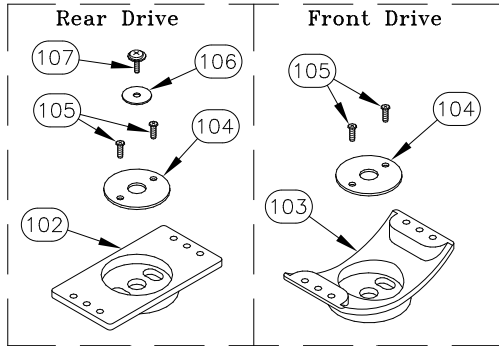
#1 Gauge 1:29 SCALE

EXPLODED PARTS DIAGRAM

+

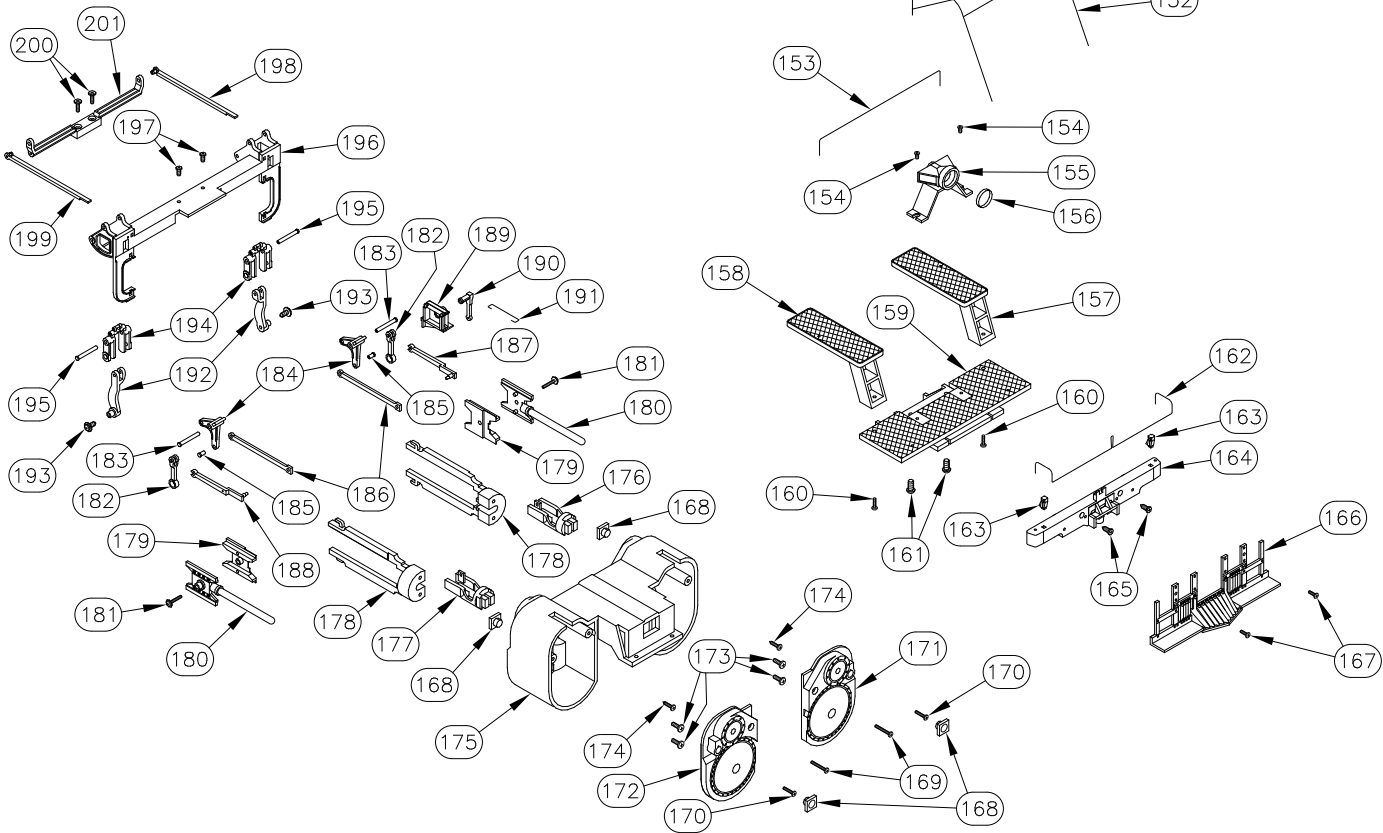
+

+

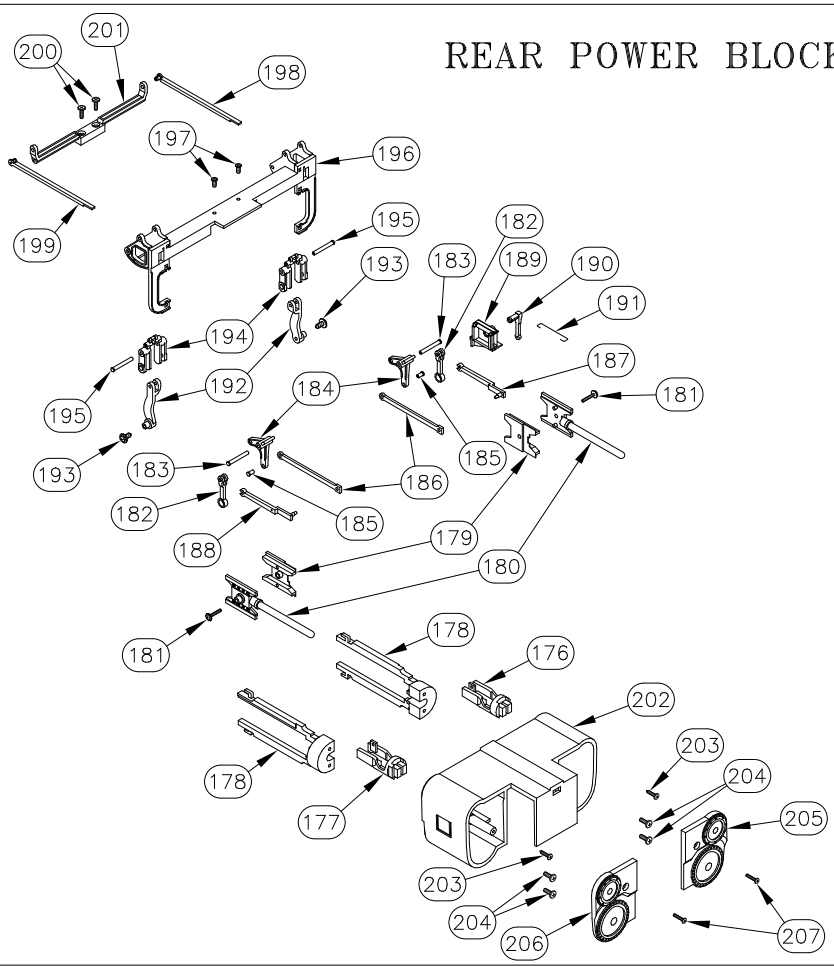




FRONT POWER BLOCK ASSEMBLY



REAR POWER BLOCK ASSEMBLY





ART-21600 SERIES 2-8-8-2 USRA Mallet Steam Locomotive

#1 Gauge 1:29 SCALE

PARTS LIST-ORDER FORM

SPECIFY ROADNAME/ART#: _____

Part #	Description *	Price	Quantity
① 21600-01	Instruction Manual	\$ 1.00	
② 21600-02	Body Upper Half	\$15.00	
③ 21600-03	Cab	\$15.00	
④ 21600-04	Cab Grab Iron - Horizontal	\$ 1.00	
⑤ 21600-05	Cab Grab Iron	\$ 1.00	
⑥ 21600-06	Cab Grab Iron - Vertical	\$ 1.00	
⑦ 21600-07	Cab Window Rear	\$ 1.00	
⑧ 21600-08	Cab Sliding Window	\$ 2.00	
⑨ 21600-09	Cab Window Front	\$ 1.00	
⑩ 21600-10	Smoke Box Grab Iron	\$ 1.00	
⑪ 21600-11	Smoke Box Hinge	\$ 1.00	
⑫ 21600-12	Smoke Box Door	\$ 1.50	
⑬ 21600-13	Bell	\$ 2.00	
⑭ 21600-14	Bell Harp	\$ 2.00	
⑮ 21600-15	Numberboard L.H.	\$ 1.50	
⑯ 21600-16	Numberboard R.H.	\$ 1.50	
⑰ 21600-17	Smoke Box Screw	\$.25	
⑱ 21600-18	Smoke Box Front	\$ 3.00	
⑲ 21600-19	Body Grab Iron Round	\$ 1.50	
⑳ 21600-20	Short Stanchion	\$ 1.00	
㉑ 21600-21	Body Grab Iron	\$ 1.50	
㉒ 21600-22	Marker Light L.H.	\$ 1.50	
㉓ 21600-23	Marker Light R.H.	\$ 1.50	
㉔ 21600-24	Body Grab Iron Short	\$ 1.50	
㉕ 21600-25	Front Steam Pipes L.H.	\$ 2.50	
㉖ 21600-26	Front Steam Pipes R.H.	\$ 2.50	
㉗ 21600-27	Bell Wire Stanchion	\$ 1.00	
㉘ 21600-28	Smoke Stack	\$ 2.00	
㉙ 21600-29	Dome Cover	\$ 1.00	
㉚ 21600-30	Sand Box	\$ 1.50	
㉛ 21600-31	Rear Steam Pipes L.H.	\$ 2.50	
㉜ 21600-32	Rear Steam Pipes R.H.	\$ 2.50	
㉝ 21600-33	Whistle	\$ 1.50	
㉞ 21600-34	Steam Dome	\$ 2.00	
㉟ 21600-35	Safety Valve	\$ 1.50	
㊱ 21600-36	Steam Valve Auxiliary	\$ 1.50	
㊲ 21600-37	Generator	\$ 1.00	
㊳ 21600-38	Lubricator Dry Pipe	\$ 2.50	
㊴ 21600-39	Cab Ventilator Steam Dome	\$ 1.00	
㊵ 21600-41	Bell Wire	\$ 3.00	
㊶ 21600-42	Boiler Hand Rail	\$ 3.00	
㊷ 21600-43	Hand Rail Stanchion	\$ 1.00	
㊸ 21600-44	Marker Light Circuit Board	\$10.00	
㊹ 21600-45	Marker Light Circuit Board Retaining Screw	\$.25	
㊺ 21600-46	Smoke Unit Cover Screw		Smoke Unit Complete \$41.00
㊻ 21600-47	Smoke Unit Cover		
㊼ 21600-48	Smoke Unit Circuit Board		
㊽ 21600-49	Smoke Unit Base		
㊾ 21600-50	Smoke Unit Mounting Screw		
㊿ 21600-51	P.C. Board Retaining Screw	\$.25	
① 21600-52	Dummy Plug for P.C. Board	\$ 3.00	
② 21600-53	Screw	\$.25	
③ 21600-54	Regulator	\$ 4.00	
④ 21600-55	P.C. Board Mounting Screw	\$.25	
⑤ 21600-56	P.C. Board	\$25.00	
⑥ 21600-57	Wire Harness	\$ 2.50	
⑦ 21600-58	Retaining Nut for Weight	\$ 1.00	
⑧ 21600-59	Star Washer for Weight	\$ 1.00	
⑨ 21600-60	Washer for Weight	\$ 1.00	
⑩ 21600-61	Weight	\$10.00	
⑪ 21600-62	Cab Grab Iron Rear	\$ 1.50	
⑫ 21600-63	Cab Lower Support	\$ 2.00	
⑬ 21600-64	Rear Step	\$ 2.00	
⑭ 21600-65	Fire Box	\$ 5.00	
⑮ 21600-66	Fire Box Retaining Screw	\$ 1.25	
⑯ 21600-67	Body Lower Half	\$25.00	
⑰ 21600-68	Drain Pipe	\$ 3.00	
⑱ 21600-69	Pipe Holder	\$ 2.50	
⑲ 21600-70	L.H. Rear Piping	\$ 2.00	
⑳ 21600-71	R.H. Rear Piping	\$ 2.00	
㉑ 21600-72	Distributor Valve R.H.	\$ 3.50	
㉒ 21600-73	Power Reverse Actuator	\$ 2.50	
㉓ 21600-74	Power Reverse Actuator Retaining Screw	\$.25	
㉔ 21600-75	Air Reservoir Tank Short	\$ 2.00	
㉕ 21600-76	Air Reservoir Tank Short Retaining Screw	\$.25	
㉖ 21600-77	Delivery Pipe	\$ 1.50	
㉗ 21600-78	Exhaust Steam Line R.H.	\$ 2.50	
㉘ 21600-79	Screw	\$.25	
㉙ 21600-80	Air Pump	\$ 3.00	
㉚ 21600-81	Air Pump Retaining Screw	\$.25	
㉛ 21600-82	Weight Retaining Screw	\$.50	
⑧③ 21600-83	Smoke Box Lower Half	\$ 1.50	
⑧④ 21600-84	Smoke Box Lower Half Retaining Screw	\$ 2.00	
⑧⑤ 21600-85	Screw	\$.25	
⑧⑥ 21600-86	Exhaust Steam Line L.H.	\$ 2.50	
⑧⑦ 21600-87	Screw	\$.25	
⑧⑧ 21600-88	Steam Line	\$ 2.50	
⑧⑨ 21600-89	Screw	\$.25	
⑨① 21600-91	Distributor Valve L.H.	\$ 2.50	
⑨② 21600-92	Condensate Pipe	\$ 1.50	
⑨③ 21600-93	Air Reservoir Tank Long	\$ 2.00	
⑨④ 21600-94	Air Reservoir Tank Long Retaining Screw	\$.25	
⑨⑤ 21600-95	Drain Valve Pipe	\$ 2.50	
⑨⑥ 21600-96	Motor Block Electrical Pick Up	\$ 1.00	
⑨⑦ 21600-97	Equalizers	\$ 1.50	
⑨⑧ 21600-98	Circuit Board for Power Block	\$ 5.00	
⑨⑨ 21600-99	Drive Block Upper Half	\$ 5.00	
⑩① 21600-100	Drive Block Lower Half	\$ 5.00	
⑩② 21600-101	Drive Block Pivot	\$ 2.00	
⑩③ 21600-102	Bolster	\$ 2.50	
⑩④ 21600-103	Bolster	\$ 2.50	
⑩⑤ 21600-104	Retaining Ring	\$ 2.00	
⑩⑥ 21600-105	Bolster Mounting Screw	\$.25	
⑩⑦ 21600-106	Washer	\$ 1.00	
⑩⑧ 21600-107	Bolster Screw	\$.25	
⑩⑨ 21600-108	Stabilizer	\$ 2.00	
⑩⑩ 21600-109	Motor	\$20.00	
⑩⑪ 21600-110	Front and Rear Drive Wheels	\$ 5.00	
⑩⑫ 21600-111	Gear Case	\$27.00	
⑩⑬ 21600-112	Drive Axle Flywheel	\$ 4.00	
⑩⑭ 21600-113	L.H. Brake Shoe	\$ 1.50	
⑩⑮ 21600-114	R.H. Brake Shoe	\$ 1.50	
⑩⑯ 21600-115	Star Washer	\$.25	
⑩⑰ 21600-116	Wheel Retaining Screw	\$.50	
⑩⑱ 21600-117	Long Main Drive Rod L.H.	\$ 1.75	
⑩⑲ 21600-118	Long Main Drive Rod R.H.	\$ 1.75	
⑩⑳ 21600-119	Screw	\$.25	
⑩㉑ 21600-120	Short Main Drive Rod L.H.	\$ 1.75	
⑩㉒ 21600-121	Short Main Drive Rod R.H.	\$ 1.75	
⑩㉓ 21600-122	Washer	\$ 1.00	
⑩㉔ 21600-123	Screw	\$.50	
⑩㉕ 29101-124	Main Drive Rod L.H.	\$ 2.50	
⑩㉖ 29101-125	Main Drive Rod R.H.	\$ 2.50	
⑩㉗ 31000-126	Main Eccentric Crank	\$ 1.50	
⑩㉘ 21600-127	Eccentric Rod L.H.	\$ 2.00	
⑩㉙ 21600-128	Eccentric Rod R.H.	\$ 2.00	
⑩㉚ 21600-129	Screw	\$.25	
⑩㉛ 21600-130	Screw	\$.25	
⑩㉜ 21600-131	Screw	\$.25	
⑩㉝ 21600-132	Screw	\$.25	
⑩㉞ 21600-133	Screw	\$.25	
⑩㉟ 21600-134	Pilot Truck Axle Retainer	\$ 1.50	
⑪① 21600-135	Pilot Truck Spring Retaining Screw	\$.25	
⑪② 21600-136	Pilot Truck Spring	\$ 1.00	
⑪③ 21600-137	Pilot Truck Wheels	\$ 5.00	
⑪④ 21600-138	Pilot Truck Main Mount	\$ 4.00	
⑪⑤ 21600-139	Pilot Truck Washer	\$ 1.00	
⑪⑥ 21600-140	Pilot Truck Washer Retaining Screw	\$.25	
⑪⑦ 21600-141	Trailing Truck Spring Retaining Screw	\$.25	
⑪⑧ 21600-142	Trailing Truck Spring	\$ 1.00	
⑪⑨ 21600-143	Trailing Truck Main Mount	\$ 4.00	
⑪⑰ 21600-144	Trailing Truck Wheels	\$ 5.00	
⑪⑱ 21600-145	Trailing Truck Axle Retainer	\$ 1.50	
⑪㉑ 21600-146	Trailing Truck Axle Retainer Screw	\$.25	
⑪㉒ 21600-147	Draw Bar	\$ 2.00	
⑪㉓ 21600-148	Trailing Truck Brake Shoes	\$ 2.50	
⑪㉔ 21600-149	Washer	\$ 1.00	
⑪㉕ 21600-150	Washer Retaining Screw	\$.25	
⑪㉖ 21600-151	Screw	\$.25	
⑪㉗ 21600-152	Front Railing	\$ 2.00	
⑪㉘ 21600-153	Front Step Grab Iron	\$ 1.00	
⑪㉙ 21600-154	Headlight Mounting Screw	\$.25	
⑪㉚ 21600-155	Headlight	\$ 2.00	
⑪㉛ 21600-156	Headlight Lens	\$ 1.00	
⑪㉜ 21600-157	Front Step L.H.	\$ 2.50	
⑪㉝ 21600-158	Front Step R.H.	\$ 2.50	
⑪㉞ 21600-159	Front Platform	\$ 2.00	
⑪㉟ 21600-160	Front Platform Retaining Screw	\$.25	
⑫① 21600-161	Front Step Screw	\$.25	
⑫② 21600-162	Cut Lever	\$ 1.25	
⑫③ 21600-163	Stanchion	\$ 1.00	
⑫④ 21600-164	Pilot Mount	\$ 2.00	
⑫⑤ 21600-165	Pilot Mount Retaining Screw	\$.25	
⑫⑥ 21600-166	Pilot	\$ 3.00	
⑫⑦ 21600-167	Pilot Retaining Screw	\$.25	
⑫⑧ 21600-168	Front Steam Chest Detail	\$.25	

* one piece unless otherwise noted

#1 1:29 Gauge SCALE

ART-21600 SERIES 2-8-8-2 USRA MALLET STEAM LOCOMOTIVE

PARTS LIST-ORDER FORM



SPECIFY ROADNAME/ART#: _____

Insert Quantity Ordered

Part #	Description *	Price	Quantity Ordered
169	21600-169 Forward Cylinder Head Retaining Screw Front Power Block	\$ 1.00	
170	21600-170 Screw	\$.50	
171	21600-171 Forward Cylinder Head L.H. - Front Power Block	\$ 2.50	
172	21600-172 Forward Cylinder Head R.H. - Front Power Block	\$ 2.50	
173	21600-173 Screw	\$.25	
174	21600-174 Screw	\$.25	
175	21600-175 Rear Cylinder Head - Front Power Block	\$ 5.00	
176	21600-176 L.H. Cross Head Forward Mount Front Power Block	\$ 1.50	
177	21600-177 R.H. Cross Head Forward Mount Front Power Block	\$ 1.50	
178	21600-178 Cross Head Guide	\$ 2.00	
179	21600-179 Piston Rod Rear	\$ 1.00	
180	21600-180 Piston Rod	\$ 1.50	
181	21600-181 Piston Rod Screw	\$.25	
182	21600-182 Reverse Shaft Arm	\$ 1.00	
183	21600-183 Reverse Shaft	\$ 1.00	
184	21600-184 Reverse Shaft Lever	\$ 1.00	
185	21600-185 Spacer	\$ 1.00	
186	21600-186 Eccentric Rod	\$ 1.00	
187	21600-187 Radius Rod R.H.	\$ 1.00	
188	21600-188 Radius Rod L.H.	\$ 1.00	
189	21600-189 Link	\$ 1.00	
190	21600-190 Spring Hanger	\$ 1.00	
191	21600-191 Link Rod	\$ 1.00	
192	21600-192 Reverse Cam	\$ 1.50	
193	21600-193 Reverse Cam Screw	\$.25	
194	21600-194 Reverse Cam Bracket	\$ 1.50	
195	21600-195 Reverse Cam Pin	\$ 1.00	
196	21600-196 Rear Cross Head Support	\$ 2.00	
197	21600-197 Rear Cross Head Support Mounting Screw	\$.25	
198	21600-198 Auxiliary Reach Rod L.H.	\$ 1.00	
199	21600-199 Auxiliary Reach Rod R.H.	\$ 1.00	
200	21600-200 Screw	\$.25	
201	21600-201 Reach Rod Holder	\$ 1.00	
202	21600-202 Rear Cylinder Head - Rear Power Block	\$ 5.00	
203	21600-203 Screw	\$.25	
204	21600-204 Screw	\$.25	
205	21600-205 Forward Cylinder Head Retaining L.H. Rear Power Block	\$ 2.50	
206	21600-206 Forward Cylinder Head Retaining R.H. Rear Power Block	\$ 2.50	
207	21600-207 Screw	\$.25	
208	21600-208 Foam		
209	ART-29311 Smoke Unit Complete	\$ 41.00	
	29104 Plastic Wheel Set (2 Axles-4 Wheels)	5.95	
	21600-99 Parts List-Order Form	No Charge	

* one piece unless otherwise noted

RETURN THIS FORM WITH YOUR ORDER
A REPLACEMENT FORM WILL BE SENT WITH YOUR ORDER

NOTE: When ordering replacement parts or repair request, please refer to proper 5 or 7 digit number listed. XX refers to last two digits of roadname ART freight car number when part is painted to match, i.e. ART-21606 SOUTHERN. 21606-02 would then refer to BODY for SOUTHERN 2-8-8-2 USRA MALLET STEAM LOCOMOTIVES ART-21606. If part is same FOR ALL 2-8-8-2 USRA MALLET STEAM LOCOMOTIVES, 21600-plus 2 digit number would be used to denote specific part, i.e. 21600-14 Bell Harp used on ALL 2-8-8-2 USRA MALLET STEAM LOCOMOTIVES regardless of railroad name. When part is same FOR ALL 2-8-8-2 USRA MALLET STEAM LOCOMOTIVES AND OTHER STEAM LOCOMOTIVES, 21600 (or other #-plus 2 digit number) would be used to denote specific part regardless of roadname/car type. Please specify roadname/ART# on line above part# list and always when ordering parts by phone/fax/letter.

Unpainted/painted part(s) will be substituted if the painted to match part(s) ordered are not available. In addition to Price Each shown please enclose... \$3.50 shipping/handling if part order is less than \$10.00 or \$5.00 shipping/handling if part order is \$10.00 or more.

This is for part order only. Not WARRANTY order. Include proper payment for parts plus shipping/handling with your (USA Bank Account Only) check/money order payable in US Dollars (\$) to: Polk's Hobbies. Please DO NOT SEND CASH. Sorry no C.O.D.'s for parts.

New Jersey residents add 6% NJ State Sales Tax. Be Sure to include your name, street address (no Post Office Box please), city, state (or province), country (if outside USA), and postal zip code, along with daytime phone number including Area Code, so that you may be contacted if necessary.

Mail order form and payment to:
ARISTO-CRAFT TRAINS/Polk's Modelcraft Hobbies, Inc.
698 South 21st Street
Irvington, NJ 07111-4109 USA
Allow 4-6 weeks for processing and delivery.

PLEASE PRINT CLEARLY
NAME: _____
ADDRESS _____
CITY: _____ STATE: _____ ZIP _____
PHONE: (_____) - _____ - _____